

## RB10

### Operating Limits

**Pressure:** 400 psi (2.8 MPa) max

**Speed:** 2500 ft/min (13 m/s) max

**Temperature:** -22 to 392 °F (-30 to 200 °C)

- **Face/Primary Ring** (Carbon/SiC/TC)
- **Seat/Mating Ring** (Alumina/SiC/TC)
- **Secondary Seals** (NBR/EPDM/FKM)
- **Spring & Hardware** (SS304/SS316)

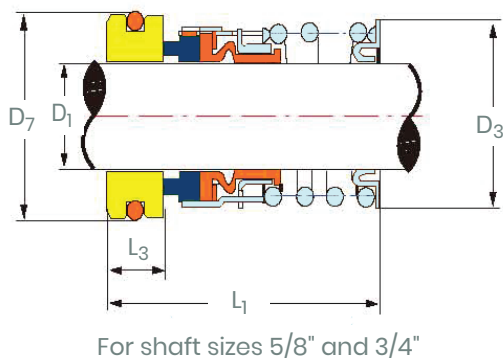
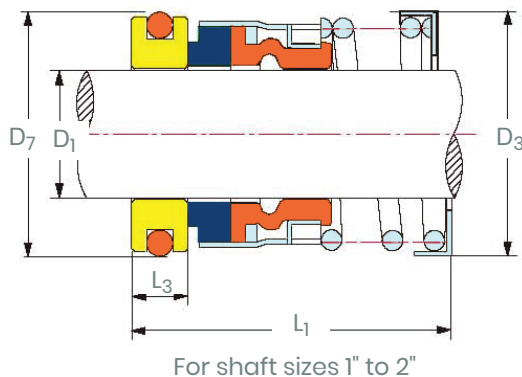


Machined

Stamped

### Design Features:

- Rubber bellows accommodates equipment play and misalignment.
- Single-spring design reduces buildup and clogging risk.
- Available balanced seal version withstands higher operating pressure.



SEAL SIZE (INCHES)	D <sub>1</sub>	D <sub>3</sub>	D <sub>7</sub>	L <sub>1</sub>	L <sub>3</sub>
5/8	0.625	1.094	1.250	1.717	0.406
3/4	0.750	1.217	1.375	1.717	0.406
1	1.000	1.500	1.625	1.999	0.437
1 1/8	1.125	1.634	1.750	2.063	0.437
1 1/4	1.250	1.811	1.875	2.063	0.437
1 3/8	1.375	1.874	2.000	2.122	0.437
1 7/16	1.437	2.000	2.125	2.122	0.437
1 1/2	1.500	2.000	2.125	2.122	0.437
1 5/8	1.625	2.252	2.375	2.500	0.500
1 3/4	1.750	2.382	2.500	2.500	0.500
1 7/8	1.875	2.500	2.625	2.626	0.500
2	2.000	2.626	2.750	2.626	0.500
2 1/8	2.125	2.811	3.000	2.937	0.563
2 1/4	2.250	2.937	3.125	2.937	0.563
2 3/8	2.375	3.063	3.250	3.063	0.563
2 1/2	2.500	3.189	3.375	3.063	0.563
2 5/8	2.625	3.374	3.375	3.376	0.626
2 3/4	2.750	3.500	3.500	3.376	0.626
2 7/8	2.875	3.622	3.750	3.500	0.626
3	3.000	3.748	3.875	3.500	0.626
3 1/2	3.500	4.374	4.374	3.905	0.780

Replaces John Crane Type 1